

## Accessory

# HM-8-401

Capacity	Part number
0.5t-3t	HM-8-401-0.5/3t
5t	HM-8-401-5t
10t-15t	HM-8-401-10/15t
20t	HM-8-401-20t

### Features:

- Compact construction, easy installation
- With anti-reversal ability
- With anti-overloading ability
- With self-aligning ability
- Using under heavy static load or slight dynamic load



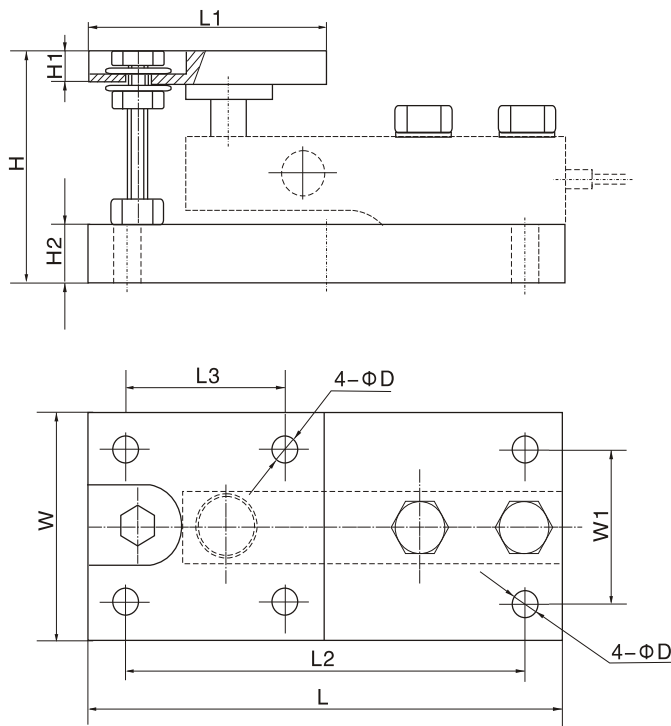
### Optional table

Part number	Designation	Cutline
HM-8-401-1	Fixed	○
HM-8-401-2	Half-floating	⊖
HM-8-401-3	Floating	⊕

### Specifications

Capacity	t	0.5-3	5	10-15	20
Ultimate load	%FS	150	150	150	150
Max. Horizontal displacement	mm	5	4		
Max. anti-rotation	KN	3	10	30	50
Material	Alloy steel				

### Outline Dimension mm(inch)



Dimension	Capacity			
	0.5-3t	5t	10-15t	20t
L	241.3 (9.5)	300 (11.8)	355.6 (14.0)	406.4 (16.0)
L1	114.3 (4.5)	152.4 (6.0)	203.2 (8.0)	228.6 (9.0)
L2	214.6 (4.5)	249.2 (9.81)	304.8 (12.0)	342.9 (13.5)
L3	88.9 (4.5)	101.6 (4.0)	152.4 (6.0)	165.1 (6.5)
H	104.8 (4.13)	136.5 (5.37)	190.5 (7.5)	228.6 (9.0)
H1	19 (0.75)	25.4 (1.0)	44.5 (1.75)	50.8 (2.0)
H2	25.4 (1.0)	32 (1.26)	44.5 (1.75)	50.8 (2.0)
W	241.3 (9.5)	300 (11.8)	355.6 (14.0)	406.4 (16.0)
W1	88.9 (4.5)	101.6 (4.0)	152.4 (6.0)	165.1 (6.5)
ΦD	11 (0.43)	17.5 (0.69)	20.6 (0.81)	25.5 (1.0)